

# Green Laser Torch

## Wide Temperature Range

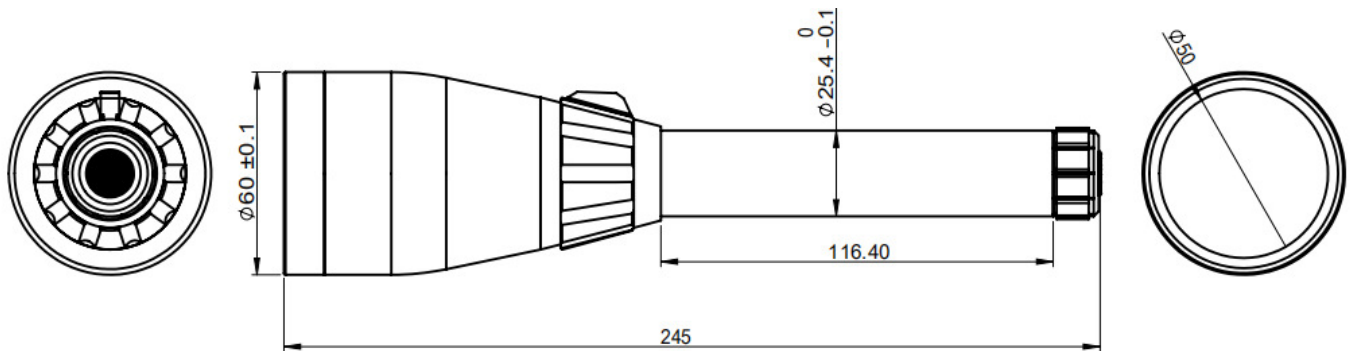


### Green Laser Torch X1

#### Features

- Compact, Adjustable Searchlight
- Effective Distance >1km <sup>(1)</sup>
- Waterproof & Dustproof (IP65)
- Wide Temperature Range
- Fast Rise Time
- High Reliability

Dimensions (Unit: mm)



Specifications				
Model Number		Green Laser Torch X1		
<b>Mechanical Specifications</b>		<b>Min</b>	<b>Typ</b>	<b>Max</b>
Dimensions	Diameter Head (mm)	59.9	60	60.1
	Diameter Barrel (mm)	25.3	-	25.4
	Length (mm)	243	245	247
	Weight (g)	-	410	-
Body		6061 Aircraft-Grade Aluminum		
Surface Finish		Mil-Spec Type III hard black anodized		
<b>Optical Specifications</b>		<b>Min</b>	<b>Typ</b>	<b>Max</b>
Wavelength (nm)		530	532	534
Output Power (mW) at -30 to +50°C		10	-	40
Output Power Mode		CW		
Laser Class		2M		

<sup>(1)</sup> at night

<b>Beam Specifications</b>	<b>Min</b>	<b>Typ</b>	<b>Max</b>
Beam Divergence (mrad) <sup>(1)</sup>	1	-	240 <sup>(2)</sup>
Beam Size at exit (mm)	-	48	-
Beam Size at 10m (mm)	40	-	2,400
<b>Electrical Specifications</b>	<b>Min</b>	<b>Typ</b>	<b>Max</b>
Power Supply	2 x CR123A		
Battery Lifetime (minutes)	200	300	-
Housing Isolation	Yes		
Tail Switch	On / Off Button <sup>(4)</sup>		
<b>Reliability</b>	<b>Min</b>	<b>Typ</b>	<b>Max</b>
Operating Case Temperature Range (°C)	-30	-	50
Rise Time (Seconds) <sup>(3)</sup>	-	0.2	0.5
Storage Temperature (°C)	-40	-	60
Environmental Humidity (RH, %)	5	-	85
Expected Lifetime (hours) (MTTF at 25°C)	5,000	-	-
RoHS Compliance Declaration	Yes		
Ingress Protection Rating	IP65		
Warranty	1 year		

(1) Full Angle (1/e<sup>2</sup>), adjustable

(2) equals max. 14°

(3) to 75% of full Output Power

(4) Alternate Tail Switch configuration: Laser only turned on when push button is pressed down, see below picture:

